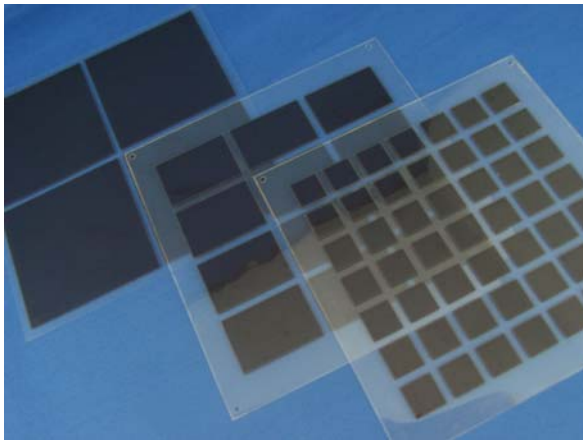


# SMARTPLY<sup>®</sup> / FFS

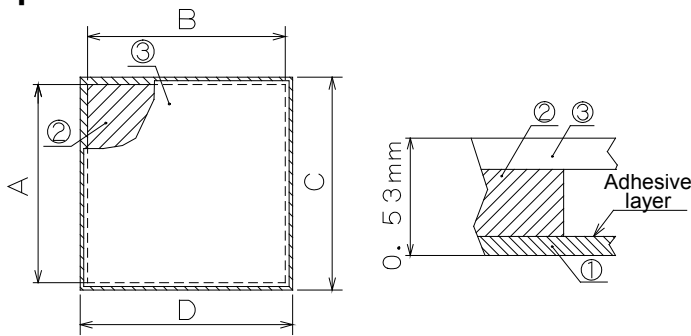


## High-performance flexible ferrite sheet

- Achieve a good balance between thinned ferrite and high-performance with the new manufacturing process
- Better insulation properties and more effective in suppression at low frequency compared to electromagnetic suppression sheets
- Attached easily with double-sided adhesive tape

### Specifications

Unit: mm



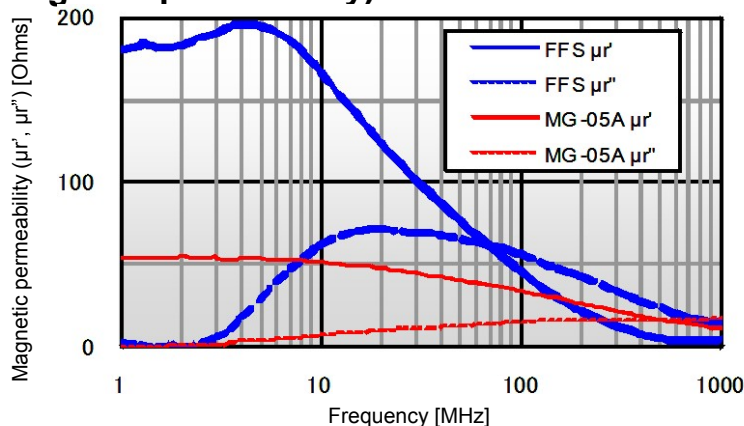
Type	A	B	C	D
FFS-0.3-1010T	10	10	11.5	11.5
FFS-0.3-1515T	15	15	16.5	16.5
FFS-0.3-2020T	20	20	21.5	21.5
FFS-0.3-2525T	25	25	26.5	26.5
FFS-0.3-3030T	30	30	31.5	31.5
FFS-0.3-5050T	50	50	55	55
FFS-0.3-1020T	10	20	11.5	21.5
FFS-0.3-2030T	20	30	21.5	31.5

①PET with adhesive layer ②Ferrite ③Double-sided adhesive tape

### Applications

- Suppress radiated emission and prevent malfunction caused by intra-system interference for PCs, digital cameras, car navigation systems and various kinds of office automation equipments
- Reduce effect of magnetic leakage from transformers and other sources

### Characteristics (Magnetic permeability)



\* All specifications and characteristics shown herein are typical values, but are not guaranteed.

All specifications and characteristics shown herein are subject to change without notice for improvements or changes in specification

**KGS** KITAGAWA INDUSTRIES CO., LTD.

KITAGAWA INDUSTRIES CO.,LTD.  
Tel: 81-52-261-5521 <http://www.kitagawa-ind.com>  
SHANGHAI KITAGAWA INDUSTRIES CO.,LTD.  
Tel: 86-21-5865-2766  
KITAGAWA INDUSTRIES(H.K.)LTD.  
Tel: 852-2612-1161 <http://www.kitagawa.com.hk>

KITAGAWA INDUSTRIES(TAIWAN)CO.,LTD.  
Tel: 886-2-2698-8833 <http://www.kgtw.com.tw>  
KITAGAWA ELECTRONICS(THAILAND)CO.,LTD.  
Tel: 66-35-350-201 <http://www.kitagawa-ind.com/thai/index.html>  
KITAGAWA ELECTRONICS(SINGAPORE)PTE.LTD.  
Tel: 65-6560-6511 <http://www.kitagawa.com.sg>

INTERMARK (USA), INC.  
Tel: 1-408-971-2055 <http://www.intermark-usa.com>  
KITAGAWA GmbH.  
Tel: 49-6106-8524-0 <http://www.kitagawa.de>